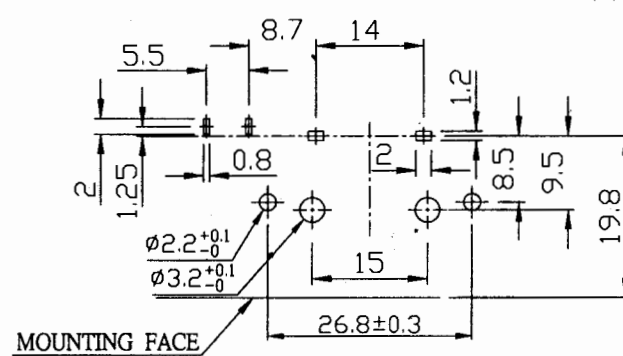
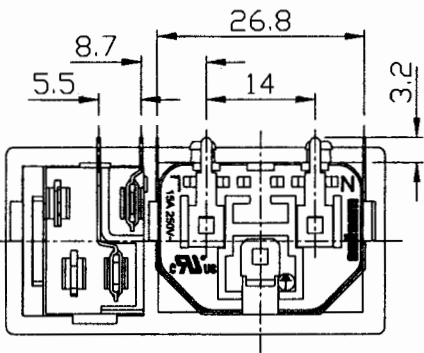
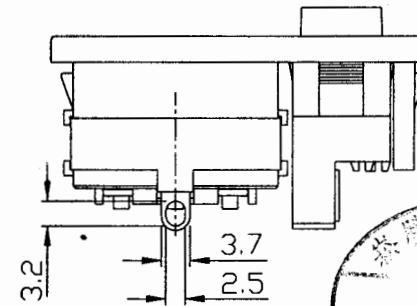
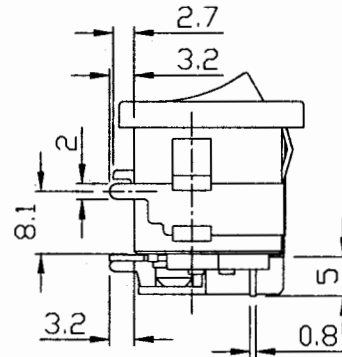
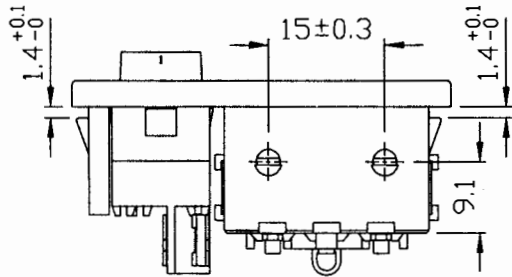
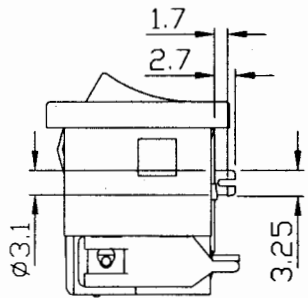


SECTION A-A

SPECIFICATION

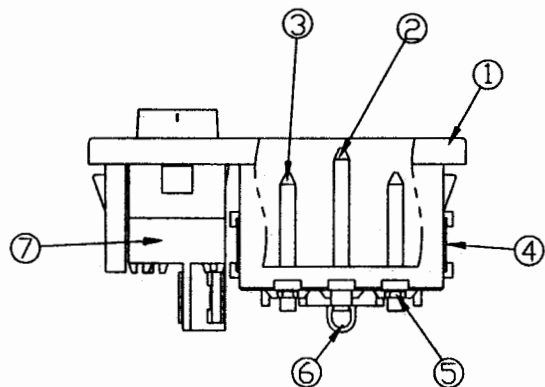
CONTACT RATING :15A 250VAC (C-UL&UL)
 10A 250V~ (N S D F),TUV,KC)
 EACH CERTIFICATE # PLEASE REFER
 TO ORIGINAL CERTIFICATE
 INITIAL CONTACT RESISTANCE: 30mΩ (MAX)
 INSULATION RESISTANCE: 100MΩ (MIN) 500 VDC
 INITIAL WITHSTAND VOLTAGE:
 PLEASE REFER TO TEST SPECIFICATION-3.3
 MATERIAL USED MUST BE COMPLY WITH BQI-0555 .



TOLERANCES UNLESS OTHERWISE	
BASIC DIMENSIONS TOLERANCES	
UP TO 10	±0.3
ABOVE 10 TO 100	±0.5
ABOVE 100	±0.8
ANGULAR DIMENSIONS	±5°

SOLTEAM ELECTRONICS CO., LTD.

NO.	DATE	REVISION DESCRIPTION	ISSUE	REVISE	APPROVED	APPROVED BY	DATE	PROJECTION	DIMENSION UNIT	PART NAME	PART NO
△						喻伟成	100125	☉	mm	SC10-6BPP-2E1A-C	
△	100122	ADD "KC" MARK	A2	白缸	喻伟成	李红娟	100125	1:1			
△	090812	MODIFY DRAWING	A1	張衛	吳繼強	白缸	090422	Inlet Socket Module			8A10-2207-0015 △



Material List Inlet Socket Model : SC10

NO	PART NAME	MATERIAL	QTY
1	Housing	PA66	1
2	Insert Pin (Ground)	Nickel Plated Brass	1
3	Insert Pin (Side)	Nickel Plated Brass	2
4	Fixed Framework	Tin Plated Tinplate	1
5	Terminal (Side)	Tin Plated Brass	2
6	Terminal (Ground)	Tin Plated Brass	1
7	Rocker Switch	MR-22 Series	1



SOLTEAM ELECTRONICS CO., LTD.

NO.	DATE	REVISION DESCRIPTION	ISSUE	REVISE	APPROVED	APPROVED BY	DATE	PROJECTION	DIMENSION UNIT
△						喻作威	100125	第一角	mm
△	100122	ADD "KC" MARK	A2	白缸	喻作威	李紅媚	100125	SCALE 1:1	PART NAME SC10-6BPP-2E1A-C
△	090812	MODIFY DRAWING	A1	張衛	吳繼強	白缸	090422	TYPE Inlet Socket Module	PART NO 8A10-2207-0015 △