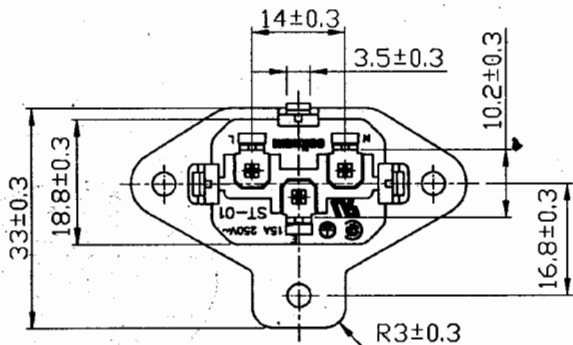
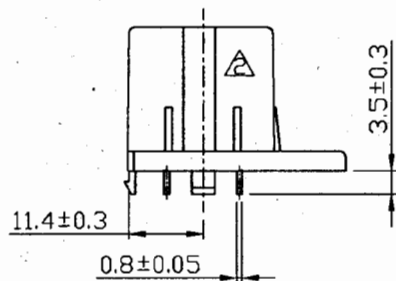
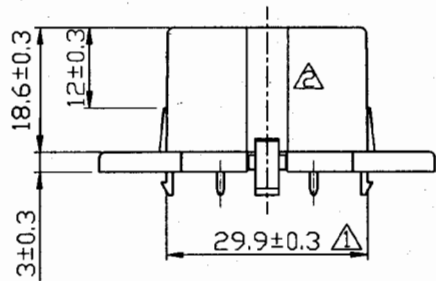


SECTION A-A

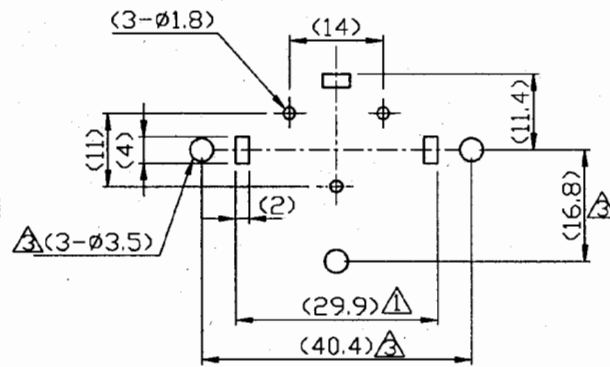


SPECIFICATION

CONTACT RATING : 15A 250VAC (CSA,UL)
10A 250VAC (N S D FT), VDE,3C

SAFETY APPROVAL : CSA,UL, (N S D FT), VDE,3C
EACH CERTIFICATE # PLEASE REFERRED
TO ORIGINAL CERTIFICATE

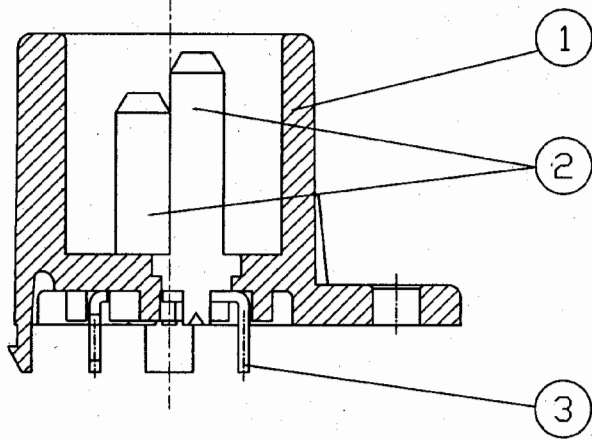
INITIAL CONTACT RESISTANCE: 30mΩ (MAX)
INITIAL INSULATION RESISTANCE: 100MΩ (MIN) 500 VDC
INITIAL WITHSTAND VOLTAGE:
PLEASE REFERENCE TEST SPECIFICATION-3.3
LIFE EXPECTANCY : 5,000 CYCLES
MATERIAL USED MUST BE COMPLY WITH BQI-0555.



PCB CUT-OUT

SOLTEAM ELECTRONICS CO.,LTD

△	070801	ADD DIM 40.4,3-∅3.5,16.8;ADD PLATE THICKNESS AND 94V-0	A3	唐仕花	謝冰兵	APPROVED BY	謝冰兵	DATE	070806	PROJECTION	⊕	DIMENSION UNIT mm	
△	070515	MODIFY ROUND	A2	唐仕花	謝冰兵	CHECKED BY	謝冰兵	DATE	070806	SCALE	1:1	PART NAME	INLET SOCKET
△	070206	30.2±0.3=>29.9±0.3;30.2=>29.9	A1	唐仕花	謝冰兵	DRAWN BY	唐仕花	DATE	060623	ERP NO.	5401-0131-0027	PART NO.	ST-01DJ-BBBV-3
NO.	DATE	REVISION DESCRIPTION	ISSUE	REVISE	APPROVED								



Remark: Material used must be comply with BQI-0555 .

NO.	PART NAME	MATERIAL	Q'TY
1	Base	PBT (94V-0)	1
2	Insert Pin	Nickle Plated Brass (3 μ m MIN)	2
3	Terminal	Tin Plated Brass (3 μ m MIN)	2



SOLTEAM ELECTRONICS CO.,LTD													
△	070801	ADD DIM 40.4,3-φ3.5,16.8;ADD PLATE THICKNESS AND 94V-0	A3	唐仕花	謝冰兵	APPROVED BY	謝冰兵	DATE	070806	PROJECTION	第一角	DIMENSION UNIT mm	
△	070515	MODIFY ROUND	A2	唐仕花	謝冰兵	CHECKED BY	謝冰兵	DATE	070806	SCALE	1:1	PART NAME	INLET SOCKET
△	070206	30.2±0.3⇒29.9±0.3;30.2⇒29.9	A1	唐仕花	謝冰兵	DRAWN BY	唐仕花	DATE	060623	ERP NO.	5401-0131-0027	PART NO.	ST-01DJ-BBBV-3
NO.	DATE	REVISION DESCRIPTION	ISSUE	REVISE	APPROVED								