

B-B SECTION

SPECIFICATION

CONTACT RATING : 15A 250VAC (CSA,UL)

10A 250VAC ( N S D F),VDE,3C)

SAFETY APPROVAL : CSA,UL, ( N S D F),VDE,3C

EACH CERTIFICATE # PLEASE REFERRED TO ORIGINAL CERTIFICATE

INITIAL CONTACT RESISTANCE: 15mΩ (MAX)

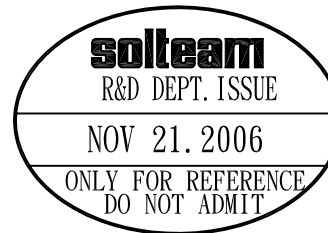
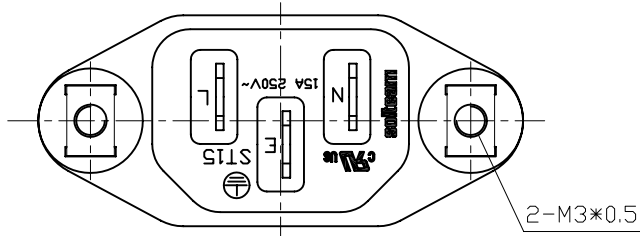
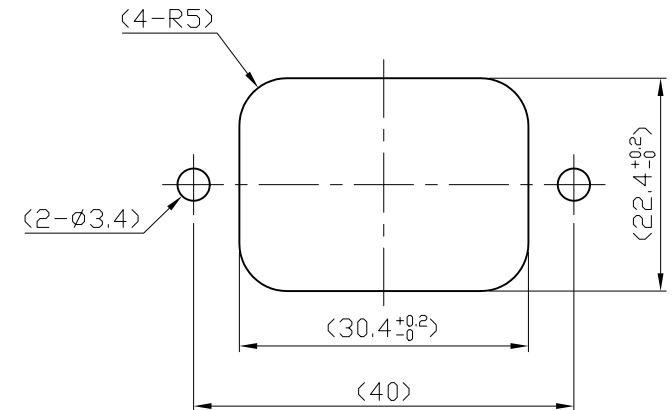
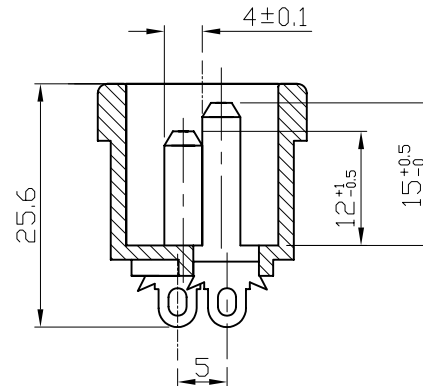
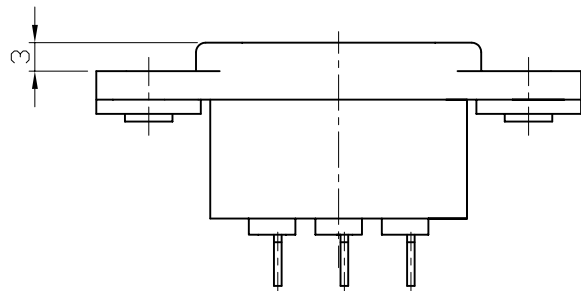
INSULATION RESISTANCE: 100MΩ (MIN) 500 VDC

INITIAL WITHSTAND VOLTAGE:

PLEASE REFERENCE TEST SPECIFICATION-3.3

LIFE EXPECTANCY : 5,000 CYCLES

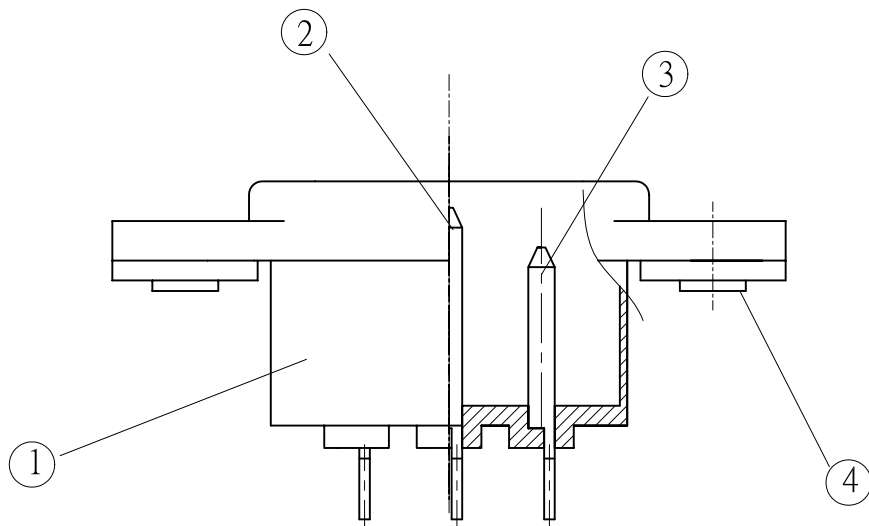
MATERIAL USED MUST BE COMPLY WITH BQI-0555 .



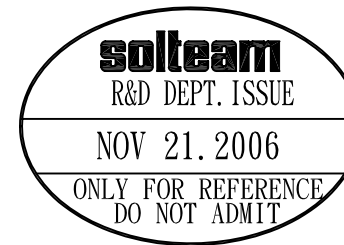
TOLERANCES UNLESS OTHERWISE	
BASIC DIMENSIONS TOLERANCES	
UP TO 10	±0.3
ABOVE 10 TO 100	±0.5
ABOVE 100	±0.8
ANGULAR DIMENSIONS	±5°

SOLTEAM ELECTRONICS CO.,LTD

3					APPROVED BY		DATE		PROJECTION		DIMENSION UNIT mm	
2					CHECKED BY		DATE		SCALE	1:1	PART NAME	INLET SOCKET
1					DRAWN BY		DATE	061121	ERP NO.		PART NO.	ST15-AB11-VA
NO.	DATE	REVISION DESCRIPTION			ISSUE	REVISE	APPROVED					



NO.	PART NAME	MATERIAL
1.	Body	PBT
2.	Terminal	Tin Plated Bronze
3.	Terminal	Tin Plated Bronze
4.	Fixed Framework	Iron Alloy Plated Iron



SOLTEAM ELECTRONICS CO.,LTD

NO.	DATE	REVISION DESCRIPTION	ISSUE	REVISE	APPROVED	APPROVED BY	DATE	PROJECTION	DIMENSION UNIT	PART NAME
3								第一角画法	mm	INLET SOCKET
2								SCALE	1:1	PART NO.
1							061121	ERP NO.		ST15-AB11-VA