

SPECIFICATION

CONTACT RATING : 2.5A 250V~

APPROVAL: CSA CERTIFICATE NO.: 077849_0_000

UL CERTIFICATE NO.: E200241

VDE CERTIFICATE NO.: 40017134

SEMKO CERTIFICATE NO.: 508620

DEMKO CERTIFICATE NO.: 313466-01

NEMKO CERTIFICATE NO.: P 05204744

FIMKO CERTIFICATE NO.: NCS/F1 21859

3C CERTIFICATE NO.: 2005010204155247

INITIAL CONTACT RESISTANCE: 30mΩ (MAX)

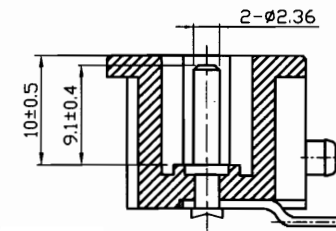
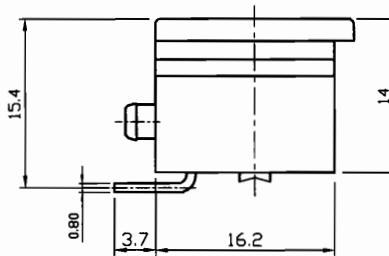
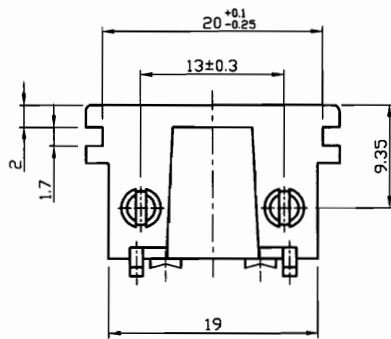
INITIAL INSULATION RESISTANCE: 100MΩ (MIN) 500 VDC

INITIAL WITHSTAND VOLTAGE:

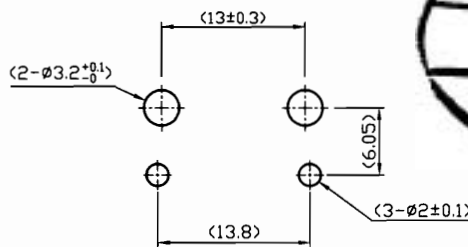
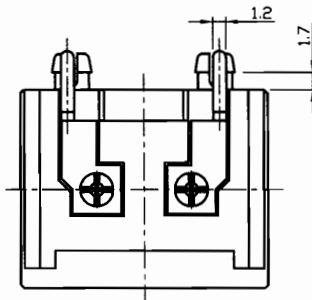
PLEASE REFER TO TEST SPECIFICATION-3.3

ELECTRICAL LIFE: 5,000 CYCLES MIN.

MATERIAL USED MUST BE COMPLY WITH BQI-0555 .



A-A SECTION



Panel Cutout



TOLERANCES UNLESS OTHERWISE	
BASIC DIMENSIONS TOLERANCES	
UP TO 10	±0.3
ABOVE 10 TO 100	±0.5
ABOVE 100	±0.8
ANGULAR DIMENSIONS	±5°

SOLTEAM ELECTRONICS CO.,LTD

NO.	DATE	REVIDION DESCRIPTION	ISSUE	REVISE	APPROVED	APPROVED BY	DATE	PROJECT	SCALE	TYPE	PART NAME	PART NO	DIMENSION UNIT	mm
△	090727	依據生技工變更: CANCEL LETTERING A004240	A3	張保芹	陳建宏	陳建宏	090813	PROJECT	1.5:1	INLET SOCKET	ST-02AJ-BKS	8A10-2002-0086		
△	060731	MODIFY DRAWING: 22.5=>22.5±0.2, 17.5=>17.5±0.2	A2	溫小燕	李碩	王娟	090810							
△	050924	REFORMING DIM.	A1	溫小燕	李碩	張保芹	050823							

