

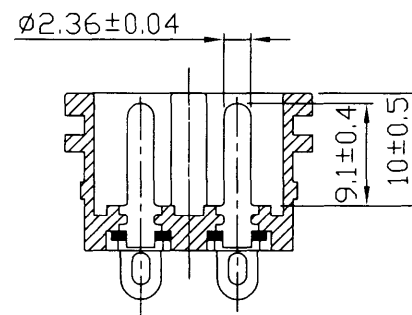
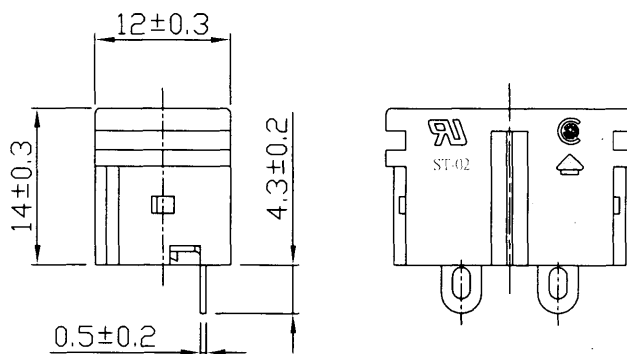
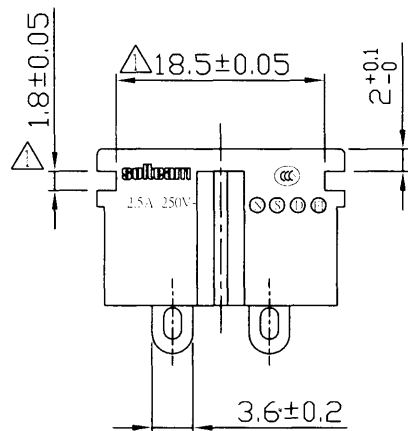
PANEL CUT-OUT

SPECIFICATION

CONTACT RATING : 2.5A 250V~(UL,CSA)  
2.5A 250V~(VDE, S, D, N, E, 3C)

APPROVAL: CSA CERTIFICATE NO.: 077849\_0\_000  
UL CERTIFICATE NO.: E200241  
VDE CERTIFICATE NO.: 40017134  
SEMKO CERTIFICATE NO.: 508620  
DEMKO CERTIFICATE NO.: 313466-01  
NEMKO CERTIFICATE NO.: P05204744  
FIMKO CERTIFICATE NO.: NCS/FI 21859 A1  
3C CERTIFICATE NO.: 2003010204094987

INITIAL CONTACT RESISTANCE : 30mΩ (MAX)  
INSULATION RESISTANCE: 100MΩ (MIN) 500 VDC  
INITIAL WITHSTAND VOLTAGE:  
PLEASE REFERENCE TEST SPECIFICATION-3.3  
MATERIAL USED MUST BE COMPLY WITH BQI-0555



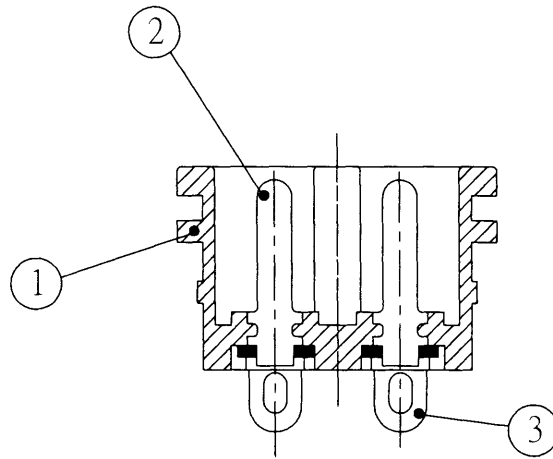
SECTION A-A



TOLERANCES UNLESS OTHERWISE	
BASIC DIMENSIONS TOLERANCES	
UP TO 10	±0.3
ABOVE 10 TO 100	±0.5
ABOVE 100	±0.8
ANGULAR DIMENSIONS	±5

SOLTEAM ELECTRONICS CO., LTD.

NO.	DATE	REVISION DESCRIPTION	ISSUE	REVISE	APPROVED	APPROVED BY	DATE	PROJECTION	DIMENSION UNIT	PART NAME	PART NO.
△						徐利芸	080604	第一角	mm	INLET SOCKET	ST-02AN-BAF4
△	080531	22±0.3=>22.1±0.05; 12±0.3=>12.1±0.05; 1.7±0.2=>1.8±0.05 18.5±0.2=>18.5±0.05	A1	王娟	徐利芸	王娟	080604	1:1			
						王娟	060816	5:01-0314-0006			



NO.	PART NAME	MATERIAL	Q'TY
1	Base	Nylon 66 Type	1
2	Pin	Nickel Plated Brass	2
3	Terminal	Tin Plated Brass	2

SOLTEAM ELECTRONICS CO., LTD.

NO.	DATE	REVISION DESCRIPTION	ISSUE	REVISE	APPROVED	DRAWN BY	DATE	ERP NO.	PART NO.
△						徐利芸	080604		
△	080531	22±0.3=>22.1±0.05; 12±0.3=>12.1±0.05; 1.7±0.2=>1.8±0.05; 18.5±0.2=>18.5±0.05	A1	王娟	徐利芸	賈寧盈	080604		
						王娟	060815	5401-0414-0006	ST-02AN-BAF4