

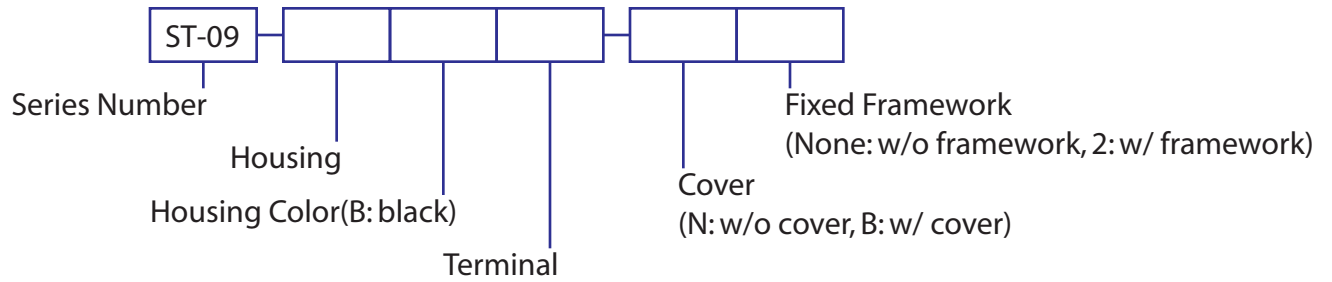
SPECIFICATION

Contact Rating: 2.5A/250VAC (C-UL&UL, FI, VDE, 3C)  
 Insulation Resistance: 100MΩ (min) 500VDC  
 Dielectric Strength: 2000VAC/1 minute

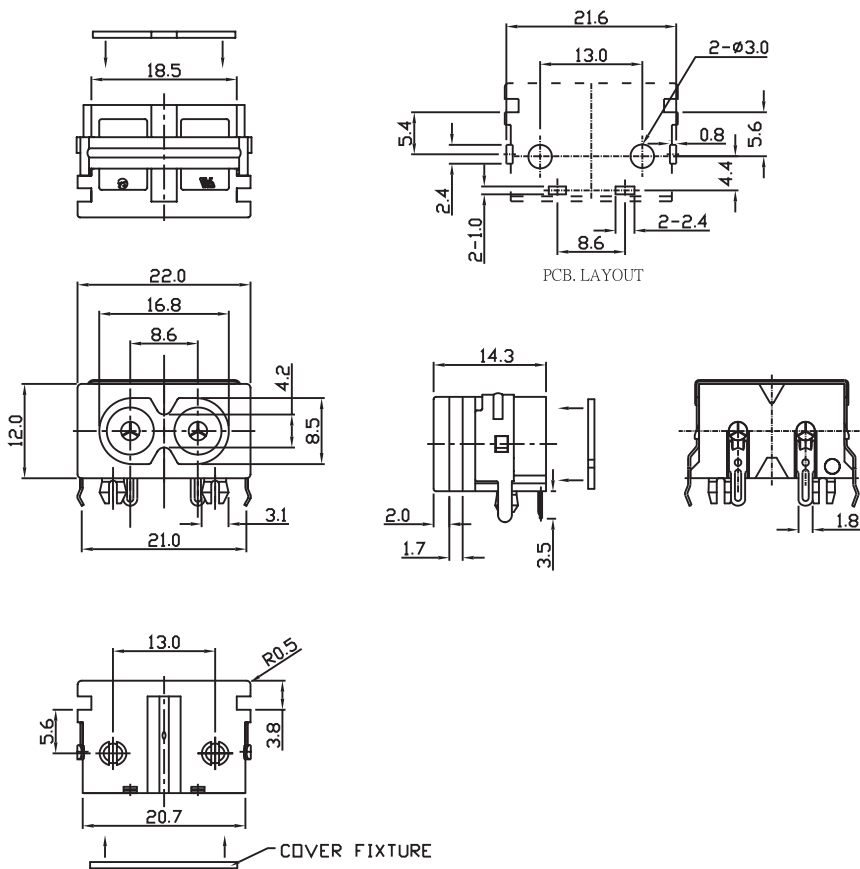
SERIES NUMBER: ST-09


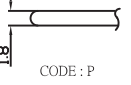


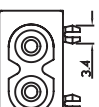



PART NUMBERING SYSTEM



DIMENSIONS(mm)



HOUSING	TERMINAL
 <p>CODE : PA</p>	 <p>1.8</p> <p>CODE : P</p>
 <p>CODE : WA</p>	
 <p>CODE : WC</p>	
 <p>CODE : WB</p>	 <p>1.5</p> <p>2.8</p> <p>3.0</p> <p>CODE : S</p>