

△ VOLTAGE SELECT SWITCHES MODEL: EV-12

RATING: 12A 125/250VAC (UL,CSA)

10(1)A 250V~ μ T85 (VDE, S, D, N, FI)

APPROVAL: UL CERTIFICATE NO: E148157

CSA CERTIFICATE NO: LR77849

VDE CERTIFICATE NO: 85005

SEMKO CERTIFICATE NO: 0145127/01

DEMKO CERTIFICATE NO: 311031-01

NEMKO CERTIFICATE NO: P01102054

FIMKO CERTIFICATE NO: FI17535

INITIAL CONTACT RESISTANCE : 20mΩ (MAX)

INSULATION RESISTANCE : 500MΩ (MIN) 500VDC

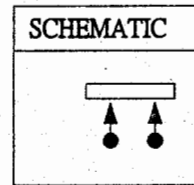
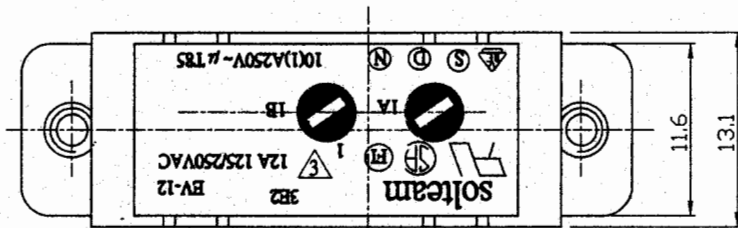
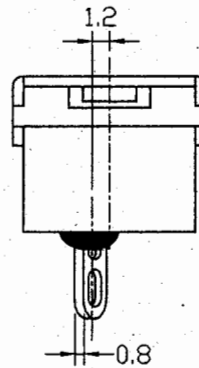
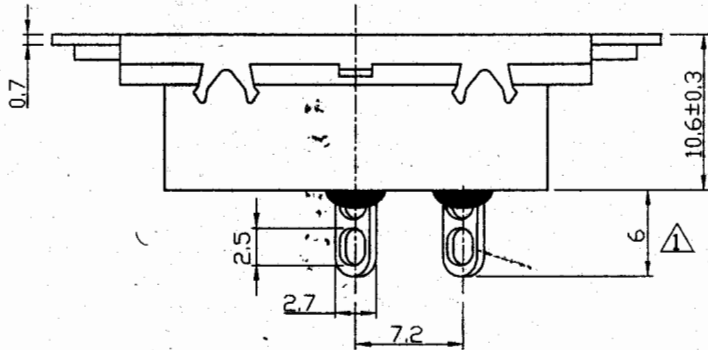
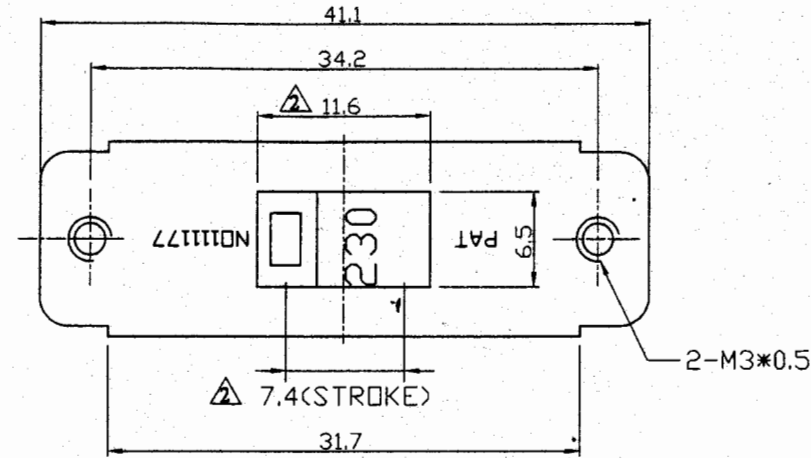
INITIAL WITHSTAND VOLTAGE:

PLEASE REFERENCE TEST SPECIFICATION-3.3

OPERATION FORCE: 500±200 Gram

AMBIENT TEMPERATURE: 0°-85°c

MATERIAL USED MUST BE COMPLY WITH BQI-0555

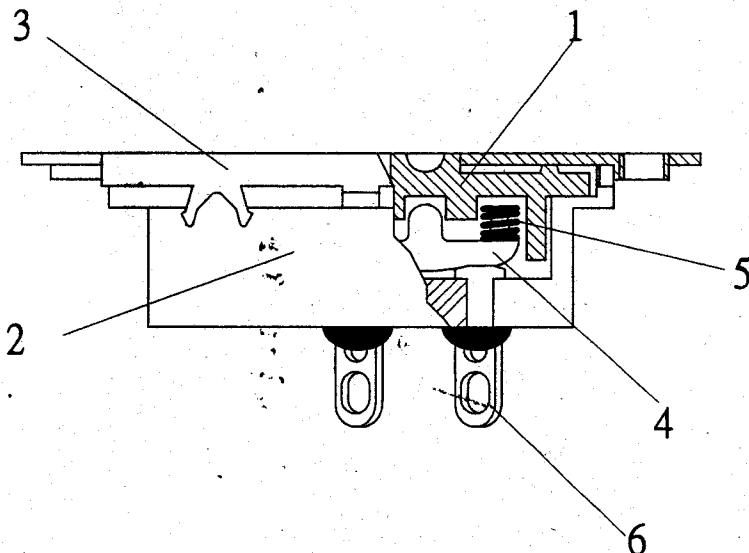


TOLERANCES UNLESS OTHERWISE 未指定容許尺寸之公差	
BASIC DIMENSIONS TOLERANCES	
UP TO 10 (10 以下)	±0.3
ABOVE 10 TO 100(10-100)	±0.5
ABOVE 100 (100 以上)	±0.8
ANGULAR DIMENSIONS(角度)	±5°

崧騰企業股份有限公司

SOLTEAM ELECTRONICS CO.,LTD

核准	邱瑞榮	日期	060707	投影法		單位	DIMENSION UNIT mm	
校對		日期	06-30-06	比例	1.5:1	機型	VOLTAGE SWITCHES	
繪圖		日期	971004	路徑	E:\成品圖\EV-12	型號	EV-12-21B-6Z	
NO.	DATE	REVISION DESCRIPTION	ISSUE	REVISE	APPROVED	DRAWN BY		
4	060706	MODIFY MATERIAL LIST.	A4					



Material List Of Voltage Select Switches Model: EV-12

NO.	PART NAME	MATERIAL
1	Actuator	Polybutylene Terephthate
2	Base	Nylon66
3	Frame	Iron Alloy Plated Iron \triangle
4	Contact	Silver Plated Copper
5	Spring	Spring Steel
6	Terminal	Tin Plated Copper



崧騰企業股份有限公司 SOLTEAM ELECTRONICS CO.,LTD

\triangle					核准		日期	060707	投影法		單位	DIMENSION UNIT mm
\triangle					校對		日期	060706	比例	2:1	機型	VOLTAGE SWITCHES
\triangle	060706	MODIFY MATERIAL LIST.	A4		繪圖		日期	970725	路徑	E:\產品圖\EV-12	型號	EV-12-21B-6Z
NO.	DATE	REVISION DESCRIPTION	ISSUE	REVISE	APPROVED	DRAWN BY	DATE	DWG NO			PART NO	