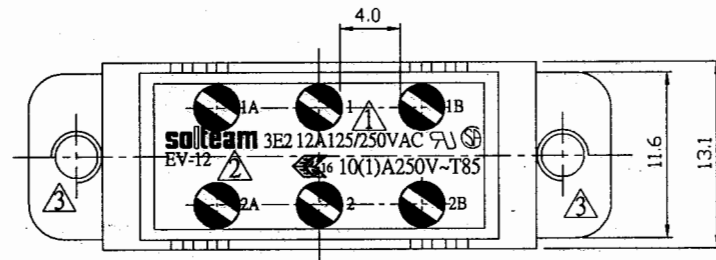
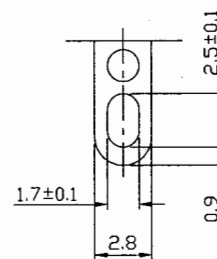
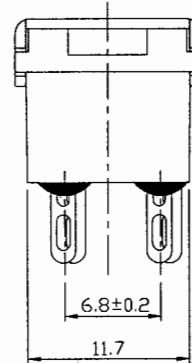
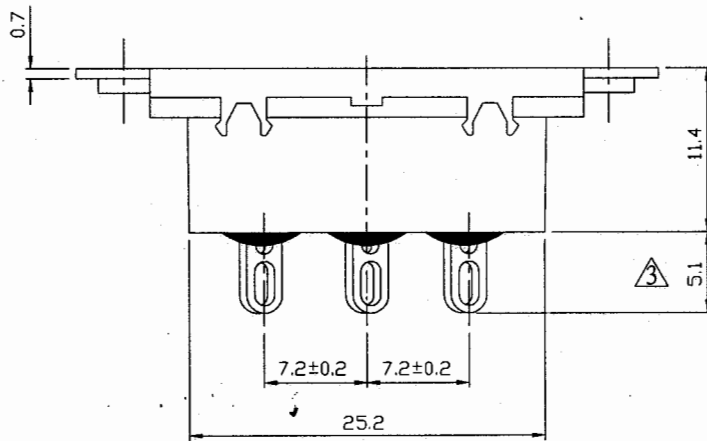
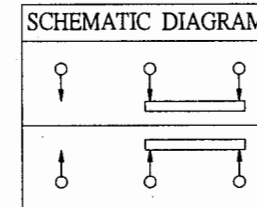


P.C.B LAYOUT



SPECIFICATION

- △ CONTACT RATING : 12A 125/250VAC  
10(1)A 250V~ T85(ENEC)
- △ SAFETY APPROVAL : CSA,UL, ENEC  
EACH CERTIFICATE # PLEASE REFER  
TO ORIGINAL CERTIFICATE  
INITIAL CONTACT RESISTANCE : 50mΩ (MAX)  
INSULATION RESISTANCE : 500MΩ (MIN) 500VDC  
INITIAL WITHSTAND VOLTAGE:  
PLEASE REFER TO TEST SPECIFICATION-3.3  
OPERATION FORCE : 1200±300GRAM  
MATERIAL USED MUST BE COMPLY WITH BQI-0555



TOLERANCES UNLESS OTHERWISE	
BASIC DIMENSIONS TOLERANCES	
UP TO 10	±0.3
ABOVE 10 TO 100	±0.5
ABOVE 100	±0.8
ANGULAR DIMENSIONS	±5°

SOLTEAM ELECTRONICS CO.,LTD

△ 091102	5.6->5.1; MODIFY DRAWING	A3	白紅	喻偉成	APPROVED BY	喻偉成	DATE	091102	PROJECTION		DIMENSION UNIT mm	
△ 090725	MODIFY SAFE MARK ; MODIFY DRAWING	A2	白紅	謝冰兵	CHECKED BY	李紅媚	DATE	091102	SCALE	2:1	PART NAME	EV-12-61B-6T
△ 090224	MODIFY DRAWING	A1	白紅	謝冰兵	DRAWN BY	白紅	DATE	051107	TYPE	VOLTAGE SWITCHES	PART NO.	8A10-1301-0079 △
NO.	DATE	REVISION DESCRIPTION		ISSUE	REVISE	APPROVED						

